

LOAD BEARING COLLARS - ABYC H-27 Rated

Installation Instructions:

TRUDESIGN Load Bearing Collars are designed for use with TRUDESIGN Skin Fittings and Ball Valves. The Load Bearing Collar spreads the load out on to a larger surface area of the hull, thereby increasing the maximum load the entire assembly can withstand.

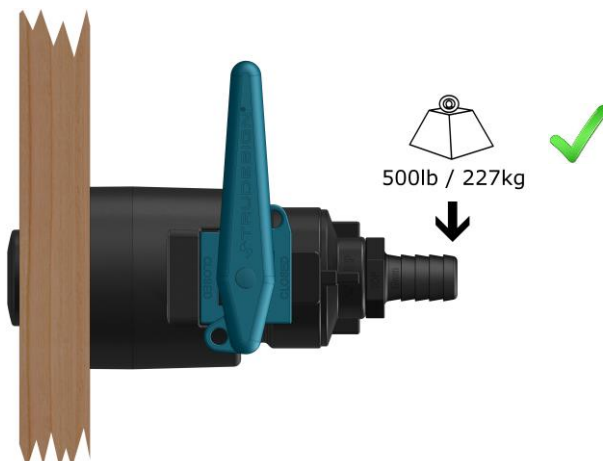
TRUDESIGN Skin Fittings and Ball Valves are certified to ISO 9093-2 standards (*Small craft — Seacocks and through-hull fittings — Part 2: Non-metallic*), for use above and below the waterline, by Bureau Veritas & the IMCI.



With a Load Bearing Collar added to an assembly of a Skin Fitting - Ball Valve – Tail, the assembly will now withstand a 500 lb. (227 kg) load applied to the Tail (inboard end), for a minimum of 30 seconds – complying with North American ABYC H-27 standards – Independently verified by Imanna Laboratory Inc., Rockledge FL, USA. (Test Report 20143-1).

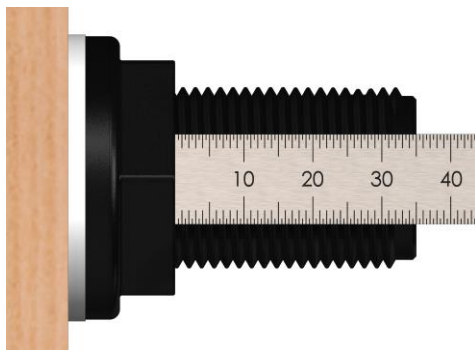
Note: Not tested with other manufacturer's fittings

Compliance to ABYC H-27 standard is mandatory for all vessels sold into the United States.



Technical Information:

- The below table shows the minimum and maximum thread length allowed to protrude inside the hull for each size skin fitting. This will ensure a snug fit of the collar against the hull. It should be noted that for very thin hulls that a backing plate be added to make the “effective hull thickness” a minimum of 20mm.
- The Skin Fitting can be shortened by cutting with a hacksaw. Measure the thread length from the top of the Skin Fitting Nut as pictured below. Then dry fit to ensure a snug fit against hull or backing plate.
- Ensure the thread length after cutting falls between the minimum and maximum values. Remove any ragged internal edges with a small file.
- For additional information on maximum hull thickness for different size skin fittings (Thru Hulls) refer to TruDesign skin fitting information sheet on our web site.
- If not installed correctly (e.g. if the Skin Fitting thread has not been reduced to a sufficient length) the Collar will be loose and will be able to move up and down the Ball Valve. When installed correctly, the Collar will be snug and not move
- For skin fitting installation refer to TruDesign Skin Fitting Information Sheet



Skin Fitting (Thru Hull) Size	Maximum length past Nut	Minimum length past Nut
1/2"	25mm (1")	20mm (3/4")
3/4" and 1"	20mm (3/4")	15mm (5/8")
1 1/4", 1 1/2" and 2"	32mm (1 1/4")	22mm (7/8")
all dimensions nominal		

The information contained in this information sheet is for general information purposes only. The information is provided by TruDesign and while we endeavour to keep the information up to date and correct, we make no representations or warranties of any kind, express or implied, about the completeness, accuracy, reliability, suitability or availability. Any reliance you place on such information is therefore strictly at your own risk.